



# CHARGING ALLWAYS

The complete charging solution  
for all electric vehicles

**JOINON** | powered by **GEWISS**

# Contents

Innovation in everyday life	5
The advantages of e-mobility	6
<b>What does JOINON offer?</b>	<b>8</b>
I-CON EVO > Charging just got smarter	11
I-ON EVO > The perfect design	13
I-CORD > Fill up with sustainable energy	15
I-FAST > E-mobility available to everyone	17
<b>JOINON Platform</b>	<b>18</b>
SMALL NET	
<b>myJOINON &gt; Single app for installer and owner</b>	<b>20</b>
Configuration	
What you can do with the App	
<b>Tools and services</b>	<b>22</b>
0% concerns, 100% support	
Configurator for dedicated electric vehicle charging solutions	
<b>Discover the advantages of JOINON</b>	<b>24</b>
<b>Private residential sector</b>	<b>26</b>
Single homes	
Condominiums	
<b>Private business sector</b>	<b>30</b>
Companies	
<b>Semi-public sector</b>	<b>32</b>
Hotels and B&Bs	
Restaurants	
Shopping centres	
Sport centres	
<b>Public sector</b>	<b>40</b>
Public car parks	
Service stations	
<b>Technical specifications</b>	<b>46</b>
I-CON EVO	48
I-ON EVO COLUMN	50
I-ON EVO WALLBOX	51
I-FAST WALLBOX	52
I-FAST COMPACT STATION	53
I-FAST STATION	54
I-CORD	60



**JOINON** Innovation in  
everyday life:  
JOINON offers  
technology products  
and services that  
anticipate the new  
electric mobility needs

JOINON is the GEWISS solution for mobility in the modern world designed for individuals and businesses, with a range of new, innovative, safe and easy-to-use products and services.

The advantages of e-mobility

# JOINON is a solution for all of the e-Driver's needs

JOINON is the solution for those striving to achieve a more eco-dynamic and eco-friendly lifestyle.

## Electricity market: a trend in constant growth and evolution, with advantages for everyone



### More benefits, fewer costs:

- Tax concessions for the purchase of electric cars and infrastructure
- Lower maintenance costs and greater assurance of the electric vehicle's life span



### More time, less stress:

- Access to restricted traffic areas
- Option to park in specially dedicated areas
- Faster and more powerful charging



### Greater care for the environmental, less pollution:

- Zero-emission vehicles
- Reduced air pollution

## 2030 global electric vehicle landscape

**10 million**

the number of electric cars sold in 2022 (up 55% from 2021)

**35%**

an estimate of the share of electric cars sold in 2030 (compared to the number of vehicles in circulation)



**26 million**

the number of electric cars circulating in 2022 (up 60% from 2021)

**230 million**

estimate of the number of electric cars circulating in 2030

What does JOINON offer?

# Charging stations: solutions for an efficient and sustainable electrical life

The wide range of GEWISS charging stations allows e-Drivers to choose the best product according to their installation type and specific needs.

**JOINON is a GEWISS solution:** much more than a simple range of products for charging electric vehicles.



WALLBOX WITH FREE ACCESS



WALLBOX WITH CONTROLLED ACCESS



COLUMN



CHARGING CABLE



WALLBOX



COMPACT STATION



STATION



## COMPONENTS

The charging sockets and cables, the protection and measurement devices and the entire structure of the charging station are "Made in GEWISS". This makes JOINON the ideal solution for demanding OEM customers looking for products that are reliable, safe and of guaranteed quality.



## CHARGING STATIONS

All GEWISS stations are compatible with any type of electric vehicle. Available in both ground and wallbox applications, JOINON charging stations can be installed in any context, residential, private corporate, industrial, semi-public and public, thanks to the optimisation of the user experience and the highest protection rating available on the market (IP55).



## JOINON APP & PLATFORM

The JOINON platform is a powerful tool for managing and controlling the charging stations. Used alongside the geo-location application, it allows you to increase the visibility of your infrastructure and makes charging simple, intuitive and immediate for any e-Driver.



## INVOICING

No need to employ new administrative resources; with JOINON, revenue management is easy and streamlined. JOINON will collect revenue from e-Driver customers who use stations via the app to charge their electric vehicles and then pass them on to the charging station owner.



## 24/7 SERVICE

JOINON customers have access to a professional and fast service that is always active, with a dedicated helpdesk and a nationwide guaranteed technical support.



## YOUR E-MOBILITY PARTNER

JOINON is the right partner for brands interested in the world of e-mobility, offering a complete solution for managing their network and customers. In addition, all our charging products can be customised with logos and/or graphics.



# Charging just got smarter

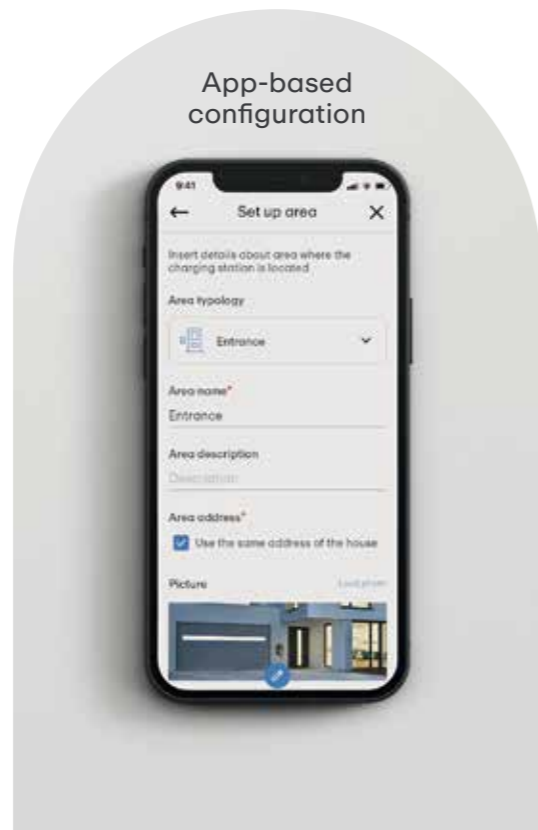
Universal wallbox for AC charging



wall-mounted version



flush-mounted version



App-based configuration



## SOPHISTICATED AND ERGONOMIC DESIGN PERFECT FOR DOMESTIC CONTEXTS

- High construction standards, with IP55 weather protection rating and IK11 mechanical resistance.
- Vandal-proof socket with shutter.
- Wide versatility, thanks to the recessed, wall and floor versions.
- Retractable cable around the body to reduce clutter and maintain a discreet and orderly appearance after each use.



## SOLAR BOOST DYNAMIC LOAD MANAGEMENT

- Integration with PV systems to make the most of the green energy produced.
- Dynamic Load Management (DLM) is available on all products in the range, both as a single installation and in multiple configurations (master/slave).
- master/slave achievable with both Ethernet and WiFi connections.
- Product can be updated with new features thanks to the Over-the-air update technology.



## PREVENTS BLACKOUTS AND OFFERS OPTIMAL MANAGEMENT OF ELECTRIC VEHICLE CHARGING

- In multiple configurations (Master / Slave), loads can be dynamically managed across max. 30 wallboxes, via Ethernet or WiFi communication, optimising charging and avoiding unwanted blackouts. Ideal for installation in contexts such as condominiums, businesses and semi-public or public land operations.
- At home, you can access your wallbox via WiFi connection, configure the DLM, and monitor your charging sessions.



## REDUCED OPERATING COSTS

- myJOINON, is the app for the configuration and the management of a single charging station, designed for both installer and owner, making charging station start-up and consumption monitoring simple, immediate and intuitive.
- Simplified installation and extremely low running costs.



# The perfect design

AC charging unit for urban environments



Back-to-back installation



High-visibility LED



“One-hand” charging



## REDUCED OPERATING COSTS

- Lower installation costs in both single and multiple charging point scenarios.
- Easy ordinary and extraordinary maintenance.
- Remote access for product configuration thanks to the on-board portal.



## CONTEMPORARY DESIGN, SUITABLE FOR ANY URBAN CONTEXT

- A unique style, with an exclusive hexagonal shape, capable of integrating perfectly into any parking configuration, even in Back-To-Back configuration (two contact units, one behind the other), with a considerable saving on installation costs.
- Improved user experience with a 4.3" graphic display that allows better user interaction while charging the vehicle.
- Improved user interface with an on-board portal that can be accessed remotely, enabling better infrastructure management.
- High-efficiency RGB LEDs, even visible from a distance and from any side of the charging station.
- The large door at the front guarantees accessibility to all parts inside the column, for simple, convenient and cost-effective maintenance.



## SMART FEATURES AND PRODUCT UPDATABILITY

- Integration with PV systems to make the most of the green energy produced.
- Dynamic Load Management (DLM) is available on all products in the range, both as a single installation and in multiple configurations (master/slave).
- Master/Slave achievable with both Ethernet and WiFi connections (up to max. 15 charging stations).
- Product can be updated with new features thanks to the Over-the-air update technology.



## YOUR BRAND ALWAYS AT THE FOREFRONT

- A fully customisable front panel, ensuring a harmonious match with the surrounding environment or with the graphic identity of the managing user.



# Fill up with sustainable energy

Universal electric vehicle charging cable



## THE FUTURE OF CHARGING IS GREEN

The plug and socket are partially made from Renycle®, a range of special technopolymers, obtained from recycled nylon with a much lower environmental impact than virgin material, calculated for each formulation using a LCA. As a result, it is ideal for projects where sustainability is a key requirement.



## LONG LIFE FOR EVERY COMPONENT

All product components (pin, socket, plug) can be individually disassembled and reassembled, replaced in case of malfunction and, at the end of the cycle, recycled or disposed in accordance with current regulations.



## BRAND CUSTOMISATION

On request, the plug and socket can be customised with logos and graphics.



## CONSISTENT AESTHETICS

Plug and socket, fixing lanyard and joint handle are designed and produced in a unique style, bringing harmony and functionality to the product.



Customisable plugs and sockets

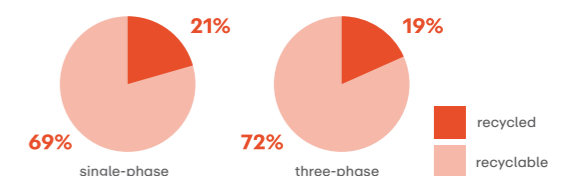


Recycled materials



Convenient casing:  
68% recycled and  
100% recyclable

SOCKET + PLUG SYSTEM







# E-mobility available to everyone, anywhere

DC fast charging station



7" graphic display

LED strips visible from a distance



### SUITABLE FOR ANY CONTEXT

- Integrates seamlessly into urban and suburban settings.
- Easy installation and maintenance.
- Simple, intuitive interface with a 7" graphic monitor and RGB LEDs that can be seen from a distance.
- Scalable: the 90 kW charging station can be upgraded up to 180 kW.



### MAXIMUM RELIABILITY GUARANTEED THROUGHOUT THE PRODUCT'S ENTIRE LIFE CYCLE

A high level of protection against bad weather conditions and impacts, always guaranteeing perfect energy supply.

- Highest degree of protection against dust and fluid penetration available on the market today: IP55.
- Also available with a contactless payment system.

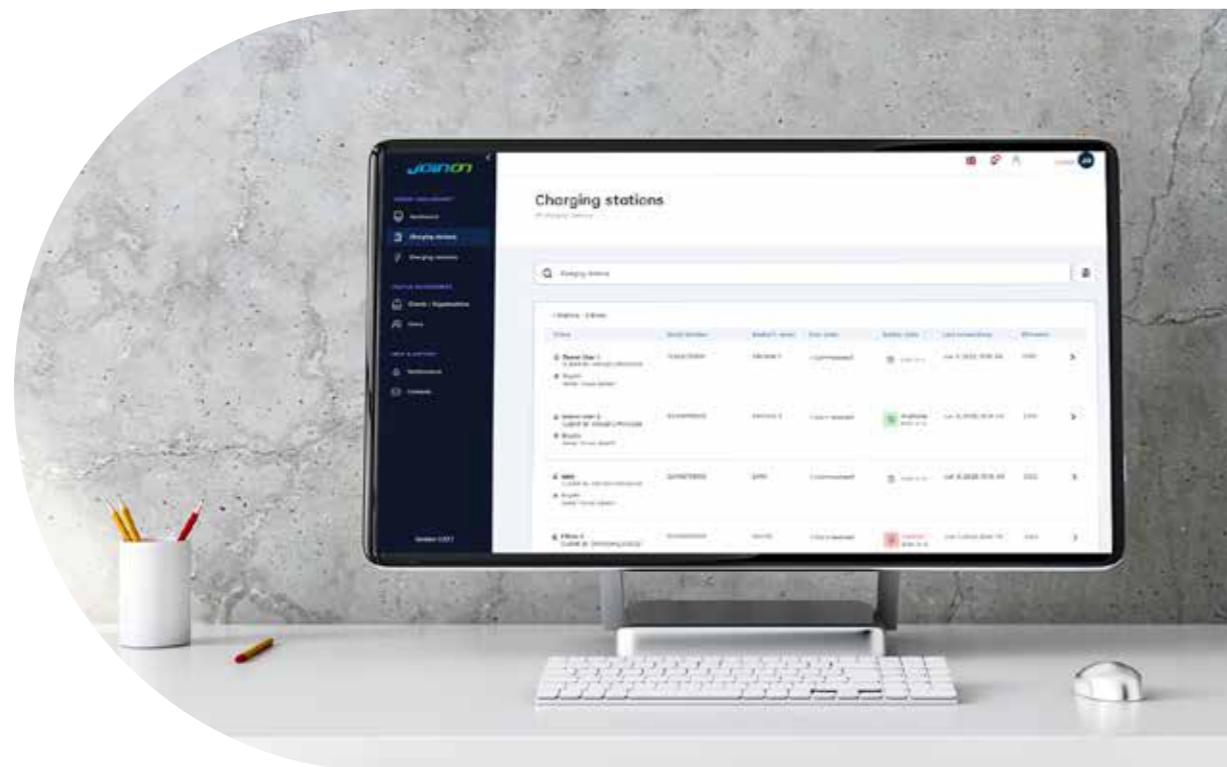


### REDUCED OPERATING COSTS

- Guaranteed savings over the product's life cycle, thanks to unified management of ordinary and extraordinary maintenance.
- Remotely updateable.

# Management has never been smarter

The new **SMALL NET** platform is the ideal solution for all private or semi-public contexts that do not need to make charging stations visible to the public through geolocation apps, but require a tool for supervision and control of their infrastructures. Thanks to Small Net, you can monitor charging status, download reports, manage RFID cards and control the load management functions to optimise system costs.



The **SMALL NET** platform is perfect for use in situations where access to charging stations is restricted and/or reserved. With SMALL NET you can limit access to the charging stations to your electric vehicle fleet of EVs (Fleet Management) or offer company employees who own electric vehicles a charging service while maintaining control over access and costs, or even grant access to hotel customers, with EV charging as an included service.



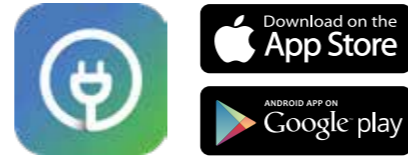
## Key features of the **SMALL NET** platform

- Census of JOINON charging stations
- Definition of parking areas and controlled access to charging stations
- Charging station configuration
- Management and monitoring of users accessing charging infrastructures
- Address management
- Access to the platform through different profile levels
- Monitoring of consumption, data logging and export in EXCEL format

myJOINON app



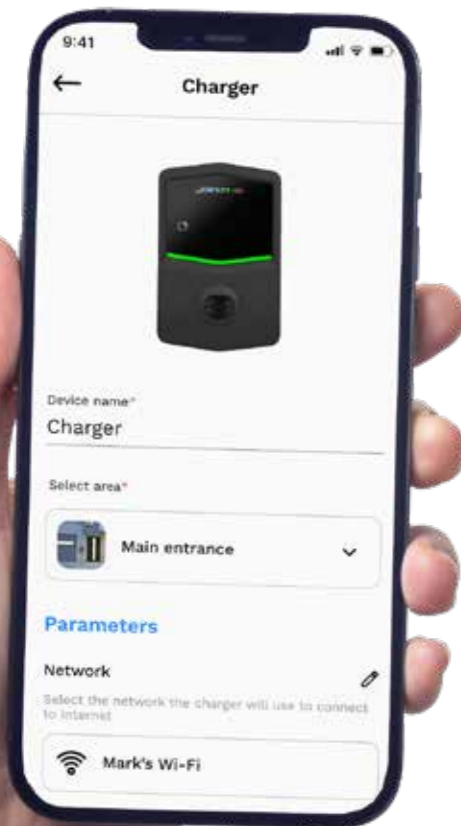
myJOINON



# Single app for installer and owner

The new **myJOINON** app, developed for private contexts (villas, multi-unit buildings, company fleet), allows you to configure the free access charging stations and monitor the consumption and charging status, easily, wherever you are, thanks to a simple and intuitive interface.

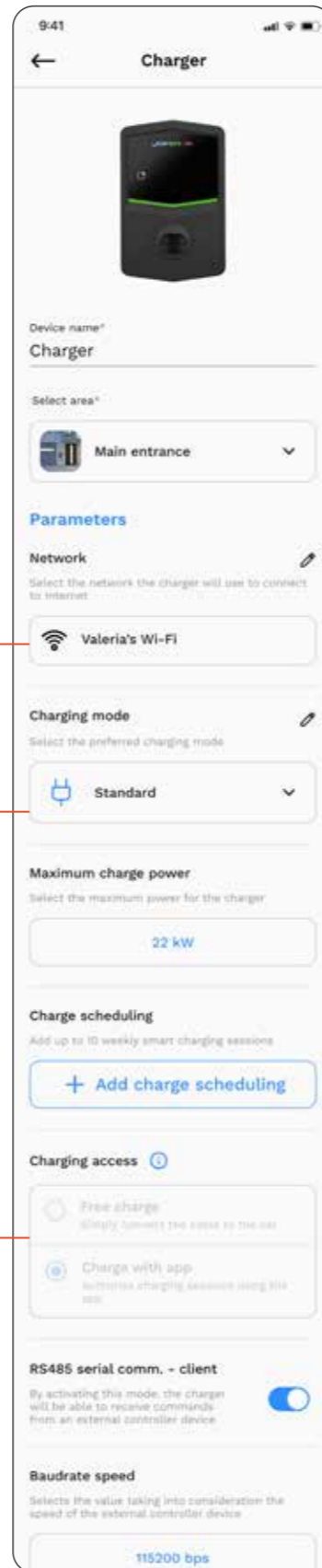
## Configuration



Configure network parameters

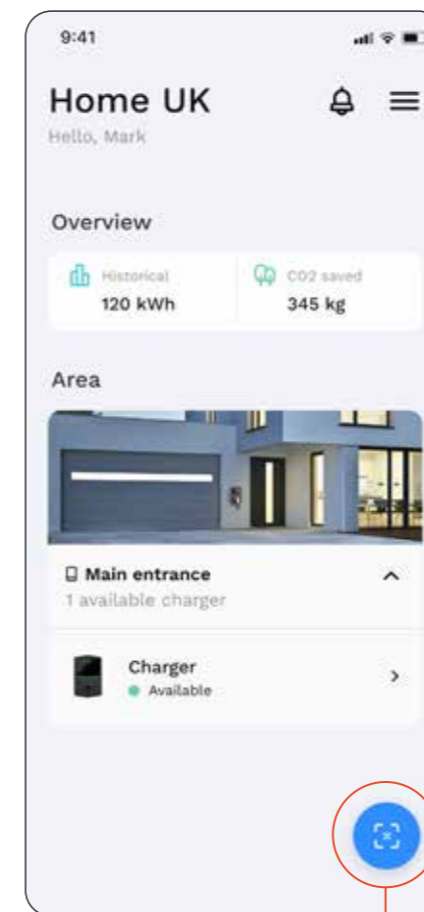
Select the operating mode

Choose the charging availability mode: free access, via app or with controlled access

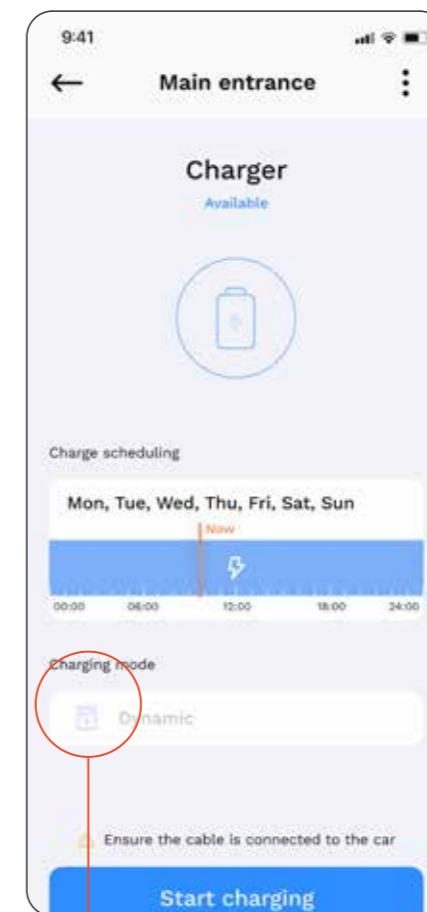


## What you can do with the App

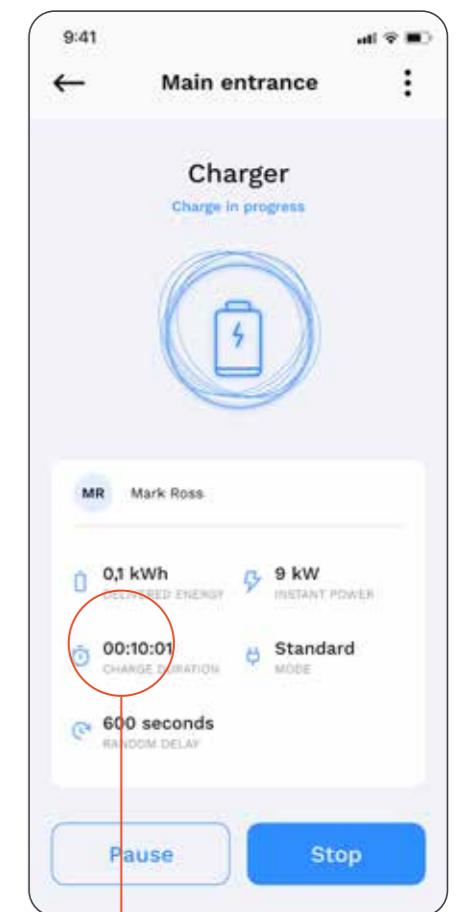
- Activate, monitor and manage the charging process
- Display the type of sockets available at the selected charging stations
- Display the charging history



Start charging by scanning the QR-Code on the charging station

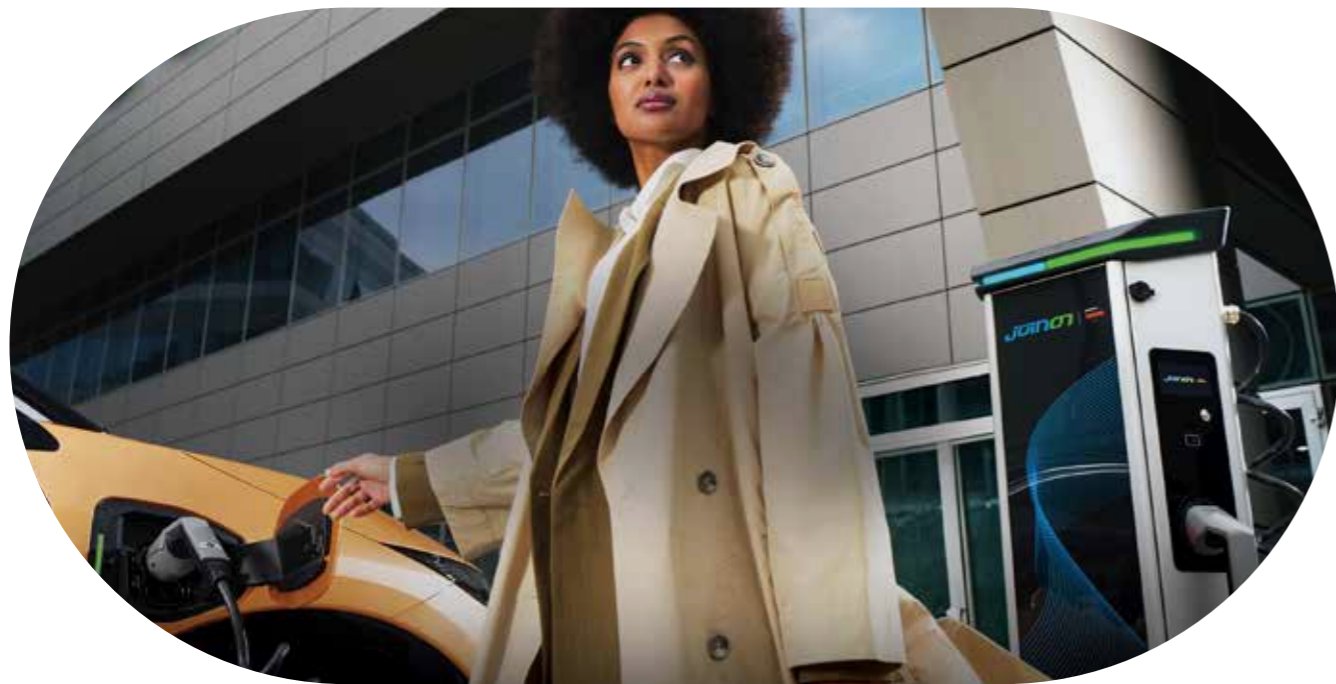


Select the operating mode: standard (with limitation on power deliverable) or dynamic DLM (with intelligent load management algorithm)



Monitor the consumption of the charging session, suspend it if another appliance is switched on or simply end it

# 0% concerns, 100% support



The charging stations connected to the JOINON platform do not require special or frequent maintenance, thanks to the possibility of performing remote diagnostics via the management platform in the event of any charging problems. Any critical issues in the normal use of the product can therefore be

verified and resolved remotely, guaranteeing a simple, fast and convenient maintenance service. In addition, the firmware of the charging stations is constantly updated to the latest available version, ensuring optimal performance at all times and compatibility with the next generation of electric vehicles.



### Technical support

Standard maintenance and extra assistance are fundamental for ensuring the continuity of service of charging stations located in public environments and often subject to critical conditions of use.



### 24/7 Help desk

Available 24/7 for both the charge point manager and the e-Driver, with guaranteed availability of qualified personnel to remotely solve any faults/malfunctions for the e-Driver who is charging at the JOINON charging station.

# Configurator for dedicated electric vehicle charging solutions



JOINON Config is an online configurator available on the [gewiss.com](http://gewiss.com) website that can be used from any internet-connected device, with which you can configure and budget the cost of a home electrical system through a simple wizard guide. The configuration allows you to choose between different applications (sites to install charging infrastructures) and suggests the most suitable solution, which can then also be customised.

The user is guided through the choice and configuration of charging infrastructures through specific selection steps:

- Installation location
- Charging infrastructure equipment and technology
- Specific data of charging stations
- Accessories

Once configuration is complete, you will be able to see a complete list of materials for the system and export it in various formats.



Scan the QR Code and discover all the advantages of the online configurator for the choice and a quote on electric vehicle charging infrastructure



# Discover the advantages of JOINON

JOINON is a solution from GEWISS

Much more than a simple offering of products for charging electric vehicles.

Private sector

Semi-public sector

Public sector

Who is **JOINON** for?

  
RESIDENTIAL

SINGLE HOMES  
CONDOMINIUMS

   
INDUSTRY OFFICE

COMPANIES

  
HOSPITALITY

HOTEL AND B&B  
RESTAURANTS

  
RETAIL

SHOPPING CENTRES

  
SPORT

SPORT CENTRES

  
CITY LANDSCAPE

CAR PARKS

  
RETAIL

SERVICE STATIONS

Private residential  
sector

Charging your electric  
vehicle is now easy and  
inexpensive

## Single homes



Ideal for garages or private parking, JOINON offers a complete proposal, suitable for every need, to charge electric cars easily, reliably and efficiently.

Safe to use and easy to install, without excessive installation costs

Compatible with domestic PV systems

Easy to use, controlled by your smartphone

Device updated periodically and compatible with latest generation of electric vehicles

### Why choose JOINON?

Safe and easy installation

Stay up-to-date and connected with Over-the-air (OTA) technology

Intelligent energy management in your home, balancing loads and energy produced by photovoltaic panels and allocating the maximum power available to electric vehicles

Station always connected and controllable via myJOINON app

Control the wallbox from remote by connecting it to your WiFi, and use the free myJOINON app to efficiently manage your charging and save money by using off-peak energy

Start plug & charge or authorised access charging via myJOINON app

For the condominium of  
the future geared towards  
a zero-impact ecosystem

# Condominiums



Condominium parking gets smart with JOINON solutions, with reliable, powerful, fast, easy to install, use and configure charging points that are compatible with all electric car models on the market today.

Accurate user consumption management and reporting

It is a solution that allows access to the charging service to condominium residents alone, without the need to distribute cards or keys (RFID or similar)

Monitors the operation of the charging stations

Controlled load management

Reduces management and maintenance costs

Guaranteed 24/7 technical support

## Why choose JOINON?

Simplified installation in your condominium, allowing you to connect and control multiple wallboxes using the same ethernet network, via master/slave technology

One-click reporting: thanks to the special reporting features available on the JOINON platform you'll always be informed on consumption per condominium

Smart load management in your condominium, modulating the available power for each charging session. Leverages energy from photovoltaic panels to reduce off-take from the grid and save on utility bill costs

Stay up-to-date and connected with Over-the-air (OTA) technology

Simplified interface for the condominium administrator, who can register condominiums, inviting them to use the shared charging service by downloading the free myJOINON app

Private business  
sector

For a company that is ahead  
of the curve and wants to  
focus on sustainability

## Companies



The added value of electric mobility, with the convenience of in-house charging.

Accurate reporting of  
employee consumption

An innovative solution that  
ensures employee-only  
access to the charging  
service

Monitors the operation of  
charging stations both in  
the company and at home

Controlled load  
management both in the  
company and at home

Reduces management  
and maintenance costs

Guaranteed 24/7  
technical support

### Why choose JOINON?

Simplified installation  
at your business,  
allowing you to  
connect and control  
multiple charging  
stations using the  
same ethernet  
network, via master/  
slave technology

One-click reporting:  
thanks to the special  
reporting features  
available on the  
JOINON platform  
you'll always be  
informed about  
each employee's  
consumption at home  
and in the company

Schedule home and  
in-house recharging  
of your fleet at times  
when energy costs  
less

Smart load  
management at  
home and in the  
company, modulating  
the available power  
for each charging  
session. Leverages  
energy from  
photovoltaic panels  
to reduce off-take  
from the grid and  
save on utility bill  
costs

Activate the 24/7  
assistance service  
and allow GEWISS  
to support you in  
managing your  
charging solution

Charge your  
company car at home  
worry-free. With our  
wallbox, your certified  
charging will be sent  
immediately to the  
Fleet Manager

Simplified interface  
for the Fleet Manager,  
who can register  
employees  
and invite them to  
enjoy the shared  
charging service by  
downloading the free  
myJOINON app

Stay connected, up to  
date and connected  
with Over-the-air  
(OTA) technology



Semi-public  
sector

Offer an exclusive service  
to a growing potential  
customer base

## Hotels and B&Bs



Your accommodation facility, their preferred destination.

Enable access to a  
customer-only charging  
service

Monitors the operation of  
the charging stations

Possibility to start or stop  
charging from your desk

Guaranteed product  
reliability

Guaranteed 24/7  
technical support

### Why choose JOINON?

Adaptable to your needs with  
a compact 30 kW DC wallbox,  
or up to 22kW in AC, with wall  
or floor mountable charging  
infrastructure connectable  
via Ethernet in master/slave  
mode

Smart load management that  
lets you regulate the power  
available for each charging  
session

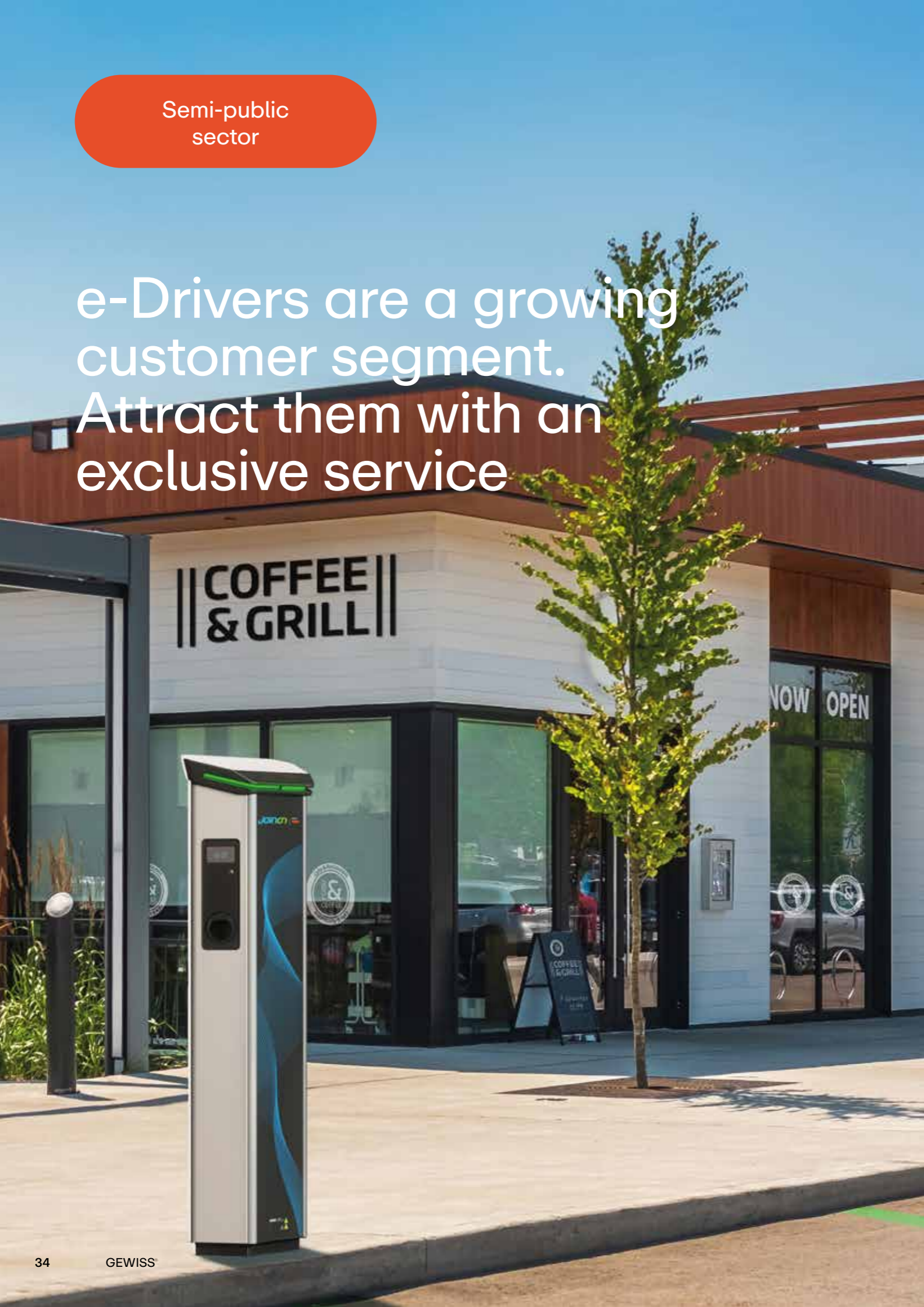
Manage access to the  
charging service from  
your front office by giving  
your guest an RFID card or  
ensuring access to charging  
via the free myJOINON app.  
Use the JOINON platform  
to control your guest's  
consumption

Stay connected, up to date  
and connected with Over-the-  
air (OTA) technology

Activate the 24/7 assistance  
service and allow GEWISS to  
support you in managing your  
charging solution

Semi-public  
sector

e-Drivers are a growing  
customer segment.  
Attract them with an  
exclusive service



## Restaurants



Add JOINON solutions to your menu and you'll win e-Drivers and their electric cars.

Guarantees product  
visibility on e-mobility  
application maps

Reliable and always  
connected product

Guaranteed 24/7  
technical support

Simple to use, with need for  
waiting staff to get involved

Reliable payment and  
reporting management

### Why choose **JOINON**?

- Reliable and durable products (IP55 and IK10/IK11)
- Easy to maintain and always up to date
- Connect the products based on your requirements, choosing between Ethernet, WiFi or 4G connectivity solutions
- Secure payment and reporting management via the JOINON platform
- Interoperability with international management platforms
- Graphics and LED monitors make your charging experience simpler
- Remote and on-site technical support with qualified service partners present in the local area
- Solutions that can be adapted to your needs of your facility, choosing from slow charging (AC) or fast charging (DC) products

Semi-public  
sector

The number of electric car owners is growing daily. Attract them with an exclusive green service

## Shopping centres



Shop free from stress, while JOINON solutions restore power to your vehicle.

Guarantees product visibility on e-mobility application maps

Reliable and always connected product

Guaranteed 24/7 technical support

Slow charging (AC) and fast charging (DC) solutions to meet customer needs

Reliable payment and reporting management

### Why choose JOINON?

Reliable and durable products (IP55 and IK10/IK11)

Connect the products based on your requirements, choosing between Ethernet, WiFi or 4G connectivity solutions

Interoperability with international management platforms

Remote and on-site technical support with qualified service partners present in the local area

Easy to maintain and always up to date

Secure payment and reporting management via the JOINON platform

Solutions that can be adapted to your needs of your facility, choosing from slow charging (AC) or fast charging (DC) products

Fast charging (DC) products, scalable in terms of rated power

Semi-public  
sector

The sport attracts  
crowds of fans. Satisfy  
their mobility needs with  
an exclusive charging  
service

## Sport centres



Take part in sporting events with complete peace of mind, JOINON solutions will take care of charging your vehicle.

Guarantees product  
visibility on e-mobility  
application maps

Reliable and always  
connected product

Guaranteed 24/7  
technical support

Slow charging (AC) and  
fast charging (DC) solutions  
to meet customer needs

Reliable payment and  
reporting management

### Why choose **JOINON**?

Reliable and durable  
products (IP55 and  
IK10/IK11)

Easy to maintain and  
always up to date

Connect the  
products based on  
your requirements,  
choosing between  
Ethernet, WiFi or 4G  
connectivity solutions

Secure payment  
and reporting  
management via the  
JOINON platform

Interoperability  
with international  
management  
platforms

Solutions that can  
be adapted to your  
needs of your facility,  
choosing from slow  
charging (AC) or  
fast charging (DC)  
products

Remote and on-site  
technical support  
with qualified service  
partners present in  
the local area

Fast charging (DC)  
products, scalable in  
terms of rated power

Differentiate and increase your revenue by providing EV owners with the service they need

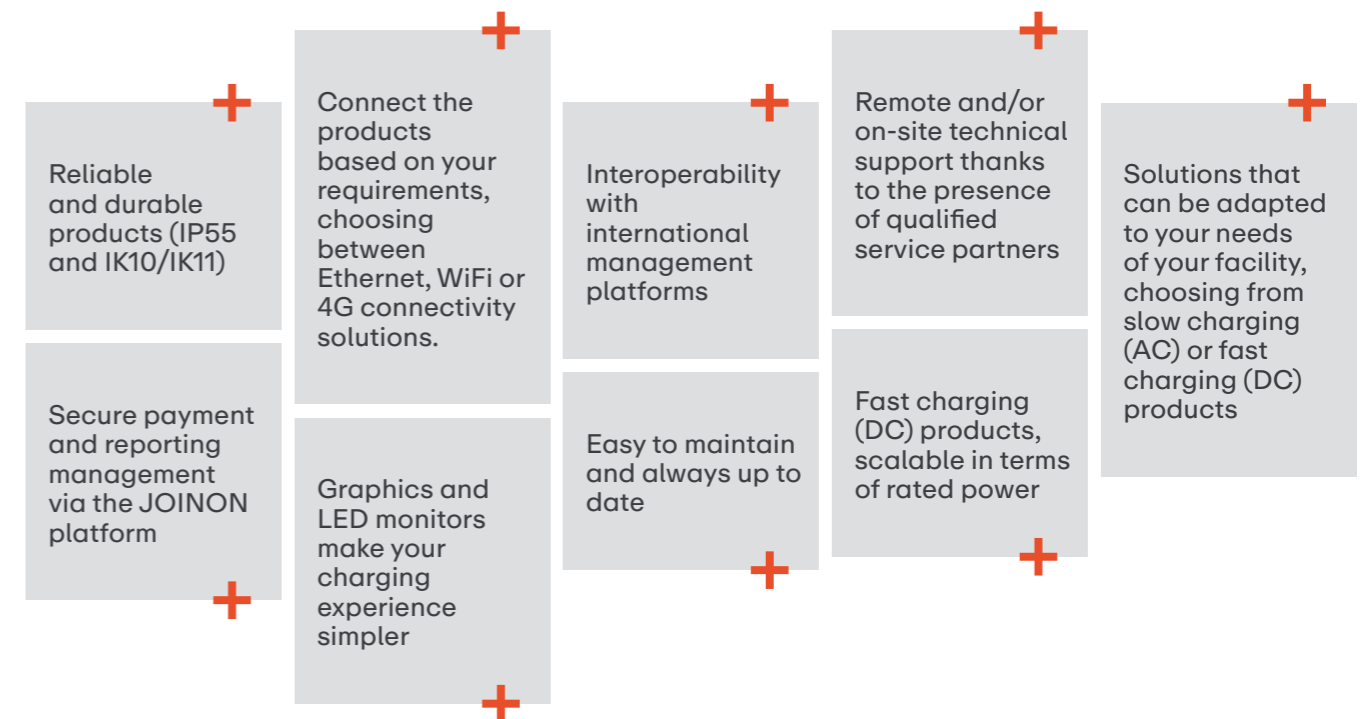
# Public car parks



An exclusive and privileged parking area for all e-Drivers.

- Leverages the energy produced by PV panels to recharge customers' electric cars
- Differentiates slow charge and fast charge rates
- Guaranteed 24/7 technical support
- Monitors charging unit operations, starting or ending active sessions
- Ensures product visibility on e-mobility application maps
- Reliable and always connected product

## Why choose JOINON?



Public sector

Attract and retain new customers. Grow your business with every burst of energy thanks to JOINON solutions

## Service stations



A varied and wide-ranging solution that offers an exclusive charging service for electric vehicles.

Monitors charging unit operations, starting or ending active sessions

Ensures product visibility on e-mobility application maps

A reliable, always-connected product with no need for staff on duty

Guaranteed 24/7 technical support

### Why choose JOINON?

Reliable and durable products (IP55 and IK10)

Connect the products based on your requirements, choosing between Ethernet, WiFi or 4G connectivity solutions

Remote and/or on-site technical support thanks to the presence of qualified service partners

Easy to maintain and always up to date

Secure payment and reporting management via the JOINON platform

Graphics and LED monitors make your charging experience simpler

Interoperability with international management platforms

Fast charging (DC) products, scalable in terms of rated power

Private residential sector

Private business sector

Semi-public sector

Public sector

SINGLE HOMES    CONDOMINIUMS

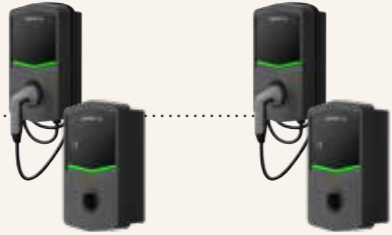
COMPANIES

HOTEL    RESTAURANTS    SHOPPING CENTRES    SPORT CENTRES

CAR PARKS    SERVICE STATIONS



i-con<sup>evo</sup>



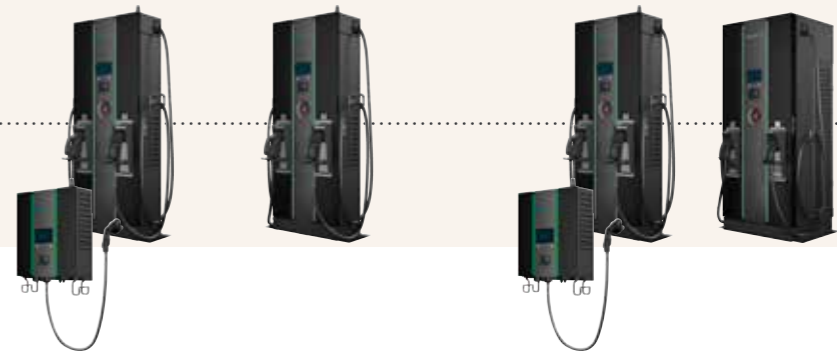
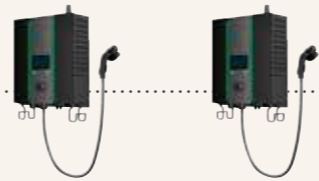
i-on<sup>evo</sup>



i-cord



i-fast



# Technical specifications

Electric innovation at your fingertips:  
**Safe, connected, simple.**





# I-CON EVO

free access or via app

free access or via app

with controlled access

Charging Mode	MODE 3	MODE 3	MODE 3
Charging Sockets	CABLE (5 meters) or VANDAL-RESISTANT T2 SOCKET	CABLE (5 meters) or VANDAL-RESISTANT T2 SOCKET	CABLE (5 meters) or VANDAL-RESISTANT T2 SOCKET
Shutter	Shutter (IPXXD)	Shutter (IPXXD)	Shutter (IPXXD)

## ELECTRICAL SPECIFICATIONS

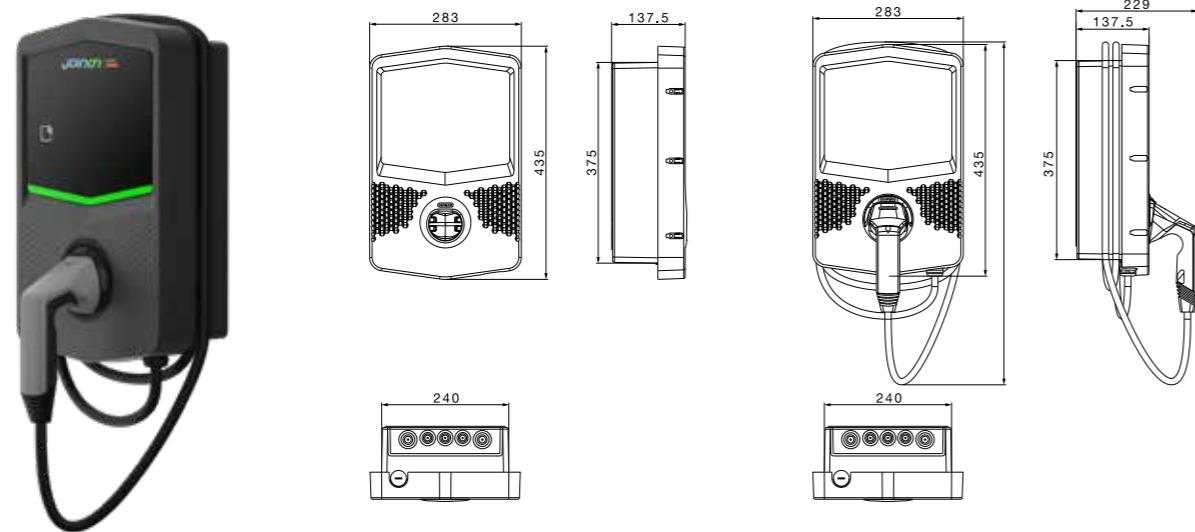
Rated Voltage	Max 400V	Max 400V	Max 400V
Total Maximum Current	Max 32A	Max 32A	Max 32A
Maximum Power	22 kW	22 kW	22 kW
User protection	6mA DC Leakage	6mA DC Leakage + SPD	6mA DC Leakage + SPD
Energy metering	-	-	MID Certified Meter

## FUNCTIONAL FEATURES

Connectivity	WiFi	ETH/WiFi	ETH/WiFi
Communication	OCPP 1.6 J	OCPP 1.6 J	OCPP 1.6 J
Load Management	DLM with Solar Boost / Via cloud through OCPP	DLM with Solar Boost / Via cloud through OCPP	DLM with Solar Boost / Via cloud through OCPP
Charging Activation	FREE/APP	APP	RFID/APP
Human Interface	LED	LED	LED
Master/Slave	No	Yes	Yes
Over-the-air updates	Yes	Yes	Yes
Programmable Remote Contact	Yes	Yes	Yes

## MECHANICAL CHARACTERISTICS

Installation type	Wall/Recessed/Floor	Wall/Recessed/Floor	Wall/Recessed/Floor
Materials	POST-INDUSTRIAL thermoplastic	POST-INDUSTRIAL thermoplastic	POST-INDUSTRIAL thermoplastic
Protection Rating	IP55	IP55	IP55
Impact Protection	IK11	IK11	IK11
Operating temperature	-25°C / +55°C	-25°C / +55°C	-25°C / +55°C



# I-ON EVO COLUMN

with controlled access

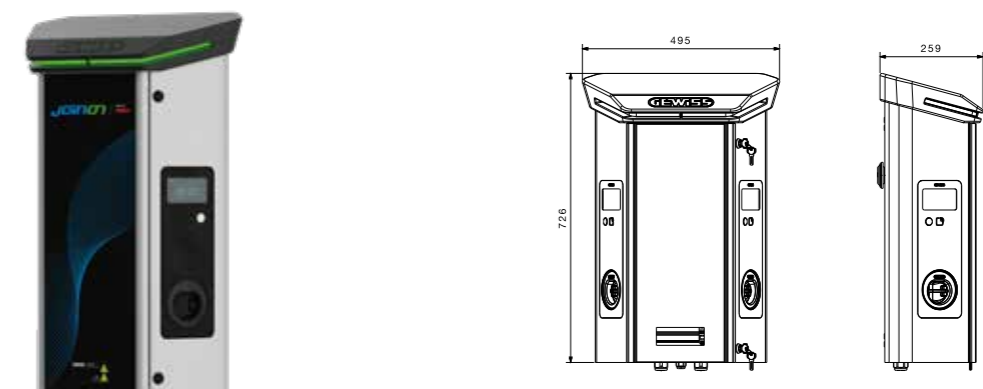
Charging Mode	MODE 3	MODE 3
Charging Sockets	2 x VANDAL-RESISTANT T2 SOCKET/ MOBILE T2 SOCKET WITH CABLE	2 x VANDAL-RESISTANT T2 SOCKET/ MOBILE T2 SOCKET WITH CABLE
Shutter	Shutter (IPXXD)	Shutter (IPXXD)
<b>ELECTRICAL SPECIFICATIONS</b>		
Rated Voltage	Max 400V	Max 400V
Total Maximum Current	Max 64A	Max 64A
Maximum Power	22 kW + 22 kW	22 kW + 22 kW
User protection	RCCB type A + MCB + 6mA DC Leakage	RCCB type A + MCB + 6mA DC Leakage
Energy metering	-	MID Certified Meter
<b>FUNCTIONAL FEATURES</b>		
Connectivity	ETH/WiFi	ETH/WiFi
Communication	OCPP 1.6 J	OCPP 1.6 J
Load Management	DLM with Solar Boost / Via cloud through OCPP	DLM with Solar Boost / Via cloud through OCPP
Charging Activation	RFID/APP	RFID/APP
Human Interface	4.3" GRAPHIC DISPLAY	4.3" GRAPHIC DISPLAY
Master/Slave	Yes	Yes
Over-the-air updates	Yes	Yes
Programmable Remote Contact	Yes	Yes
<b>MECHANICAL CHARACTERISTICS</b>		
Installation type	Floor-mounting	Floor-mounting
Materials	Painted sheet steel	Painted sheet steel
Protection Rating	IP55	IP55
Impact Protection	IK11	IK11
Operating temperature	-25°C / +55°C	-25°C / +55°C



# I-ON EVO WALLBOX

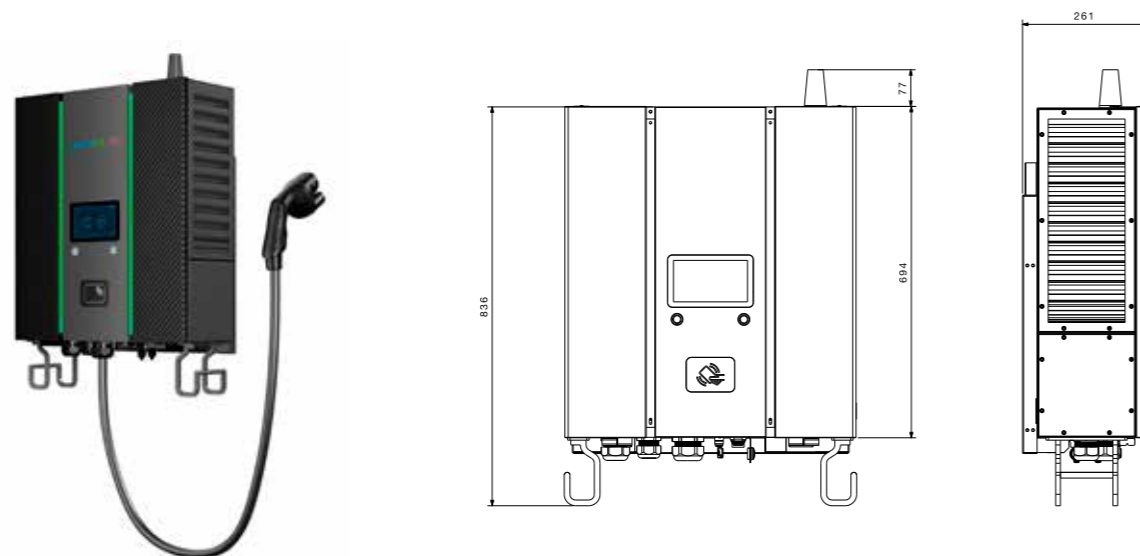
with controlled access

Charging Mode	MODE 3	MODE 3
Charging Sockets	2 x VANDAL-RESISTANT T2 SOCKET	2 x VANDAL-RESISTANT T2 SOCKET
Shutter	Shutter (IPXXD)	Shutter (IPXXD)
<b>ELECTRICAL SPECIFICATIONS</b>		
Rated Voltage	Max 400V	Max 400V
Total Maximum Current	Max 64A	Max 64A
Maximum Power	22 kW + 22 kW	22 kW + 22 kW
User protection	RCCB type A + MCB + 6mA DC Leakage + RCBO	RCCB type A + MCB + 6mA DC Leakage + RCBO
Energy metering	-	MID Certified Meter
<b>FUNCTIONAL FEATURES</b>		
Connectivity	ETH/WiFi	ETH/WiFi
Communication	OCPP 1.6 J	OCPP 1.6 J
Load Management	DLM with Solar Boost / Via cloud through OCPP	DLM with Solar Boost / Via cloud through OCPP
Charging Activation	RFID/APP	RFID/APP
Human Interface	4.3" GRAPHIC DISPLAY	4.3" GRAPHIC DISPLAY
Master/Slave	Yes	Yes
Over-the-air updates	Yes	Yes
Programmable Remote Contact	Yes	Yes
<b>MECHANICAL CHARACTERISTICS</b>		
Installation type	Wall-mounting	Wall-mounting
Materials	Painted sheet steel	Painted sheet steel
Protection Rating	IP55	IP55
Impact Protection	IK10	IK10
Operating temperature	-25°C / +55°C	-25°C / +55°C



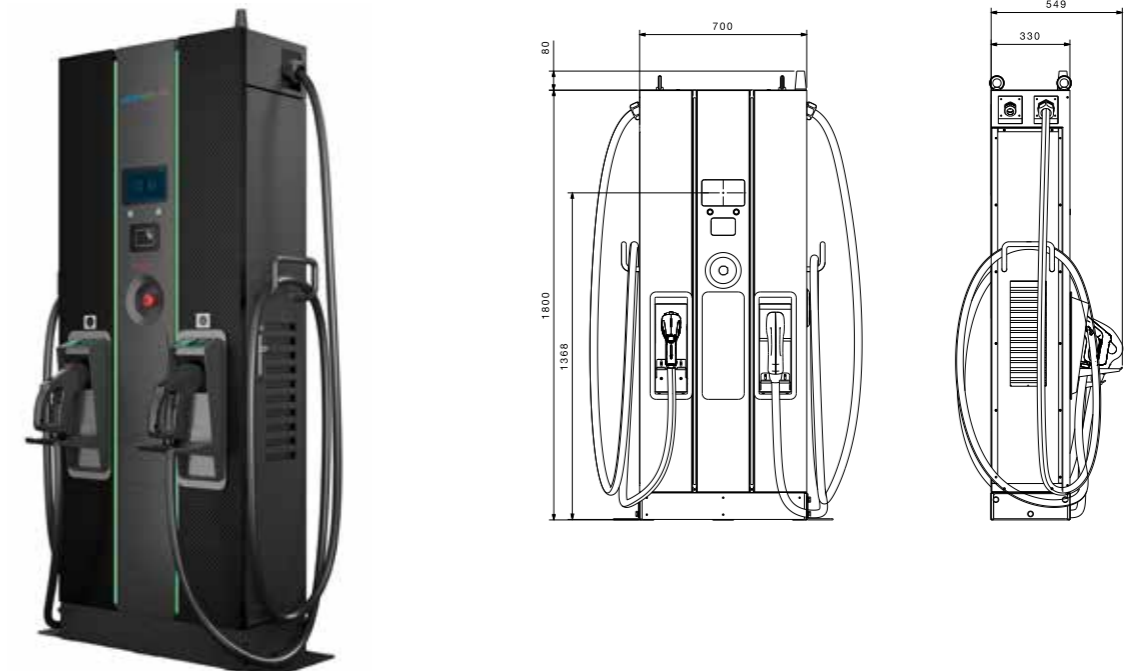
# I-FAST WALLBOX

Charging Mode	MODE 4	MODE 4
Charging Sockets	1 CCS2 CONNECTOR	1 CCS2 + 1 CHAdeMO CONNECTOR
<b>ELECTRICAL SPECIFICATIONS</b>		
AC Input Rated Voltage	3 $\phi$ 380 $\div$ 415 Vac	3 $\phi$ 380 $\div$ 415 Vac
Maximum AC input current	3 $\phi$ 40A	3 $\phi$ 40A
Output voltage range	CCS2: 150 $\div$ 950 Vdc	CCS2: 150 $\div$ 950 Vdc CHAdeMO: 150 $\div$ 500 Vdc
Maximum Output Current	CCS 2: 80A	CCS 2: 80A CHAdeMO: 60A
Maximum Output Power	30 kW	30 kW
Power factor	>0.99	>0.99
Output protection	SCP, OCP, OVP, LVP, OTP, IMD	SCP, OCP, OVP, LVP, OTP, IMD
Energy metering	Yes, integrated DC Meter	Yes, integrated DC Meter
<b>FUNCTIONAL FEATURES</b>		
Connectivity	ETH/WiFi/4G	ETH/WiFi/4G
Communication	CAN BUS / RS485 / OCPP 1.6J	CAN BUS / RS485 / OCPP 1.6J
Load Management	Via OCPP (Charging profile)	Via OCPP (Charging profile)
Charging Activation	RFID/APP	RFID/APP
Contactless Payments Solution	-	-
Human Interface	7" GRAPHIC DISPLAY	7" GRAPHIC DISPLAY
<b>MECHANICAL CHARACTERISTICS</b>		
Installation type	Wall-/Floor-mounting	Wall-/Floor-mounting
Materials	Painted sheet steel	Painted sheet steel
Cable length	4 m	4 m
Protection Rating	IP55	IP55
Impact Protection	IK10	IK10
Operating temperature	-25°C / +50°C	-25°C / +50°C



# I-FAST COMPACT STATION

Charging Mode	MODE 4	MODE 4	MODE 4
Charging Sockets	2 CCS2 CONNECTORS	1 CCS2 + 1 CHAdeMO CONNECTOR	1 CCS2 + 1 GBT CONNECTOR
<b>ELECTRICAL SPECIFICATIONS</b>			
AC Input Rated Voltage	3 $\phi$ 380 $\div$ 415 Vac	3 $\phi$ 380 $\div$ 415 Vac	3 $\phi$ 380 $\div$ 415 Vac
Maximum AC input current	3 $\phi$ 86 A	3 $\phi$ 86 A	3 $\phi$ 86 A
Output voltage range	CCS2: 150 $\div$ 950 Vdc	CCS2: 150 $\div$ 950 Vdc CHAdeMO: 150 $\div$ 500 Vdc	CCS2: 150 $\div$ 950 Vdc GBT: 150 $\div$ 750 Vdc
Maximum Output Current	CCS 2: 120A	CCS 2: 120A / CHAdeMO: 120A	CCS 2: 120A / GBT: 120A
Maximum Output Power	60 kW	60 kW	60 kW
Power factor	>0.99	>0.99	>0.99
Output protection	SCP, OCP, OVP, LVP, OTP, IMD	SCP, OCP, OVP, LVP, OTP, IMD	SCP, OCP, OVP, LVP, OTP, IMD
Energy metering	Yes, integrated DC Meter (AC MID Meter option)	Yes, integrated DC Meter (AC MID Meter option)	Yes, integrated DC Meter (AC MID Meter option)
<b>FUNCTIONAL FEATURES</b>			
Connectivity	ETH/WiFi/4G	ETH/WiFi/4G	ETH/WiFi/4G
Communication	CAN BUS / RS485 / OCPP 1.6J	CAN BUS / RS485 / OCPP 1.6J	CAN BUS / RS485 / OCPP 1.6J
Load Management	Via OCPP (Charging profile)	Via OCPP (Charging profile)	Via OCPP (Charging profile)
Charging Activation	RFID/APP	RFID/APP	RFID/APP
Contactless Payments Solution	Payter P66 option	Payter P66 option	Payter P66 option
Human Interface	7" GRAPHIC DISPLAY	7" GRAPHIC DISPLAY	7" GRAPHIC DISPLAY
<b>MECHANICAL CHARACTERISTICS</b>			
Installation type	Floor-mounting	Floor-mounting	Floor-mounting
Materials	Painted sheet steel	Painted sheet steel	Painted sheet steel
Cable length	4 m	4 m	4 m
Protection Rating	IP55	IP55	IP55
Impact Protection	IK10	IK10	IK10
Operating temperature	-25°C / +50°C	-25°C / +50°C	-25°C / +50°C



# I-FAST STATION

Charging Mode	MODE 4	MODE 4
Charging Sockets	2 CCS2 CONNECTORS	2 CCS2 CONNECTORS

ELECTRICAL SPECIFICATIONS		
AC Input Rated Voltage	3 $\phi$ 380 $\pm$ 415 Vac	3 $\phi$ 380 $\pm$ 415 Vac
Maximum AC input current	3 $\phi$ 130A	3 $\phi$ 174A
Output voltage range	CCS2: 150 $\pm$ 950 Vdc	CCS2: 150 $\pm$ 950 Vdc
Maximum Output Current	CCS2: 200A (peak 250A)	CCS2: 200A (peak 250A)
Maximum Output Power	90 kW	120 kW
Power factor	>0.99	>0.99
Output protection	SCP, OCP, OVP, LVP, OTP, IMD	SCP, OCP, OVP, LVP, OTP, IMD
Energy metering	Yes, integrated DC Meter (AC MID Meter option)	Yes, integrated DC Meter (AC MID Meter option)

FUNCTIONAL FEATURES		
Connectivity	ETH/WiFi/4G	ETH/WiFi/4G
Communication	CAN BUS / RS485 / OCPP 1.6J	CAN BUS / RS485 / OCPP 1.6J
Load Management	Via OCPP (Charging profile)	Via OCPP (Charging profile)
Charging Activation	RFID/APP	RFID/APP
Contactless Payments Solution	Payter P66 option	Payter P66 option
Human Interface	7" GRAPHIC DISPLAY	7" GRAPHIC DISPLAY

MECHANICAL CHARACTERISTICS		
Installation type	Floor-mounting	Floor-mounting
Materials	Painted sheet steel	Painted sheet steel
Cable length	4.5 m	4.5 m
Protection Rating	IP55	IP55
Impact Protection	IK10	IK10
Operating temperature	-25°C / +50°C	-25°C / +50°C



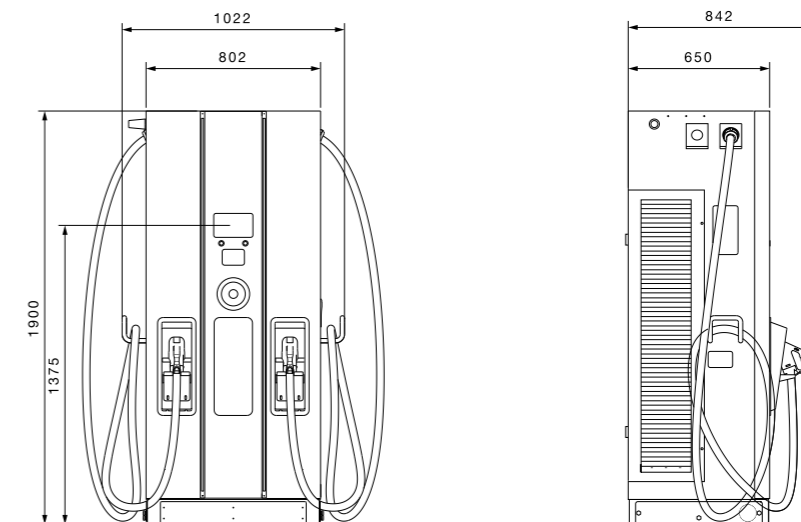
Versions are also available with a 300A connector (400A maximum peak) plus a 200A connector (250A maximum peak), two 300A connectors (400A maximum peak) or a 120A CHAdeMO connector

Charging Mode	MODE 4	MODE 4
Charging Sockets	2 CCS2 CONNECTORS	2 CCS2 CONNECTORS

ELECTRICAL SPECIFICATIONS		
AC Input Rated Voltage	3 $\phi$ 380 $\pm$ 415 Vac	3 $\phi$ 380 $\pm$ 415 Vac
Maximum AC input current	3 $\phi$ 217A	3 $\phi$ 260A
Output voltage range	CCS2: 150 $\pm$ 950 Vdc	CCS2: 150 $\pm$ 950 Vdc
Maximum Output Current	CCS2: 200A (peak 250A)	CCS2: 200A (peak 250A)
Maximum Output Power	150 kW	180 kW
Power factor	>0.99	>0.99
Output protection	SCP, OCP, OVP, LVP, OTP, IMD	SCP, OCP, OVP, LVP, OTP, IMD
Energy metering	Yes, integrated DC Meter (AC MID Meter option)	Yes, integrated DC Meter (AC MID Meter option)

FUNCTIONAL FEATURES		
Connectivity	ETH/WiFi/4G	ETH/WiFi/4G
Communication	CAN BUS / RS485 / OCPP 1.6J	CAN BUS / RS485 / OCPP 1.6J
Load Management	Via OCPP (Charging profile)	Via OCPP (Charging profile)
Charging Activation	RFID/APP	RFID/APP
Contactless Payments Solution	Payter P66 option	Payter P66 option
Human Interface	7" GRAPHIC DISPLAY	7" GRAPHIC DISPLAY

MECHANICAL CHARACTERISTICS		
Installation type	Floor-mounting	Floor-mounting
Materials	Painted sheet steel	Painted sheet steel
Cable length	4.5 m	4.5 m
Protection Rating	IP55	IP55
Impact Protection	IK10	IK10
Operating temperature	-25°C / +50°C	-25°C / +50°C



# I-FAST STATION

Charging Mode	MODE 4	MODE 4
Charging Sockets	1 CCS2 + 1 CHAdeMO CONNECTOR	1 CCS2 + 1 CHAdeMO CONNECTOR
<b>ELECTRICAL SPECIFICATIONS</b>		
AC Input Rated Voltage	3 $\phi$ 380 $\pm$ 415 Vac	3 $\phi$ 380 $\pm$ 415 Vac
Maximum AC input current	3 $\phi$ 130A	3 $\phi$ 174A
Output voltage range	CCS2: 150 $\pm$ 950 Vdc / CHAdeMO: 150 $\pm$ 500 Vdc	CCS2: 150 $\pm$ 950 Vdc / CHAdeMO: 150 $\pm$ 500 Vdc
Maximum Output Current	CCS2: 200A (peak 250A) / CHAdeMO: 120A	CCS2: 200A (peak 250A) / CHAdeMO: 120A
Maximum Output Power	90 kW	120 kW
Power factor	>0.99	>0.99
Output protection	SCP, OCP, OVP, LVP, OTP, IMD	SCP, OCP, OVP, LVP, OTP, IMD
Energy metering	Yes, integrated DC Meter (AC MID Meter option)	Yes, integrated DC Meter (AC MID Meter option)
<b>FUNCTIONAL FEATURES</b>		
Connectivity	ETH/WiFi/4G	ETH/WiFi/4G
Communication	CAN BUS / RS485 / OCPP 1.6J	CAN BUS / RS485 / OCPP 1.6J
Load Management	Via OCPP (Charging profile)	Via OCPP (Charging profile)
Charging Activation	RFID/APP	RFID/APP
Contactless Payments Solution	Payter P66 option	Payter P66 option
Human Interface	7" GRAPHIC DISPLAY	7" GRAPHIC DISPLAY
<b>MECHANICAL CHARACTERISTICS</b>		
Installation type	Floor-mounting	Floor-mounting
Materials	Painted sheet steel	Painted sheet steel
Cable length	4.5 m	4.5 m
Protection Rating	IP55	IP55
Impact Protection	IK10	IK10
Operating temperature	-25°C / +50°C	-25°C / +50°C

Charging Mode	MODE 4	MODE 4
Charging Sockets	1 CCS2 + 1 CHAdeMO CONNECTOR	1 CCS2 + 1 CHAdeMO CONNECTOR
<b>ELECTRICAL SPECIFICATIONS</b>		
AC Input Rated Voltage	3 $\phi$ 380 $\pm$ 415 Vac	3 $\phi$ 380 $\pm$ 415 Vac
Maximum AC input current	3 $\phi$ 217A	3 $\phi$ 260A
Output voltage range	CCS2: 150 $\pm$ 950 Vdc / CHAdeMO: 150 $\pm$ 500 Vdc	CCS2: 150 $\pm$ 950 Vdc / CHAdeMO: 150 $\pm$ 500 Vdc
Maximum Output Current	CCS2: 200A (peak 250A) / CHAdeMO: 120A	CCS2: 200A (peak 250A) / CHAdeMO: 120A
Maximum Output Power	150 kW	180 kW
Power factor	>0.99	>0.99
Output protection	SCP, OCP, OVP, LVP, OTP, IMD	SCP, OCP, OVP, LVP, OTP, IMD
Energy metering	Yes, integrated DC Meter (AC MID Meter option)	Yes, integrated DC Meter (AC MID Meter option)
<b>FUNCTIONAL FEATURES</b>		
Connectivity	ETH/WiFi/4G	ETH/WiFi/4G
Communication	CAN BUS / RS485 / OCPP 1.6J	CAN BUS / RS485 / OCPP 1.6J
Load Management	Via OCPP (Charging profile)	Via OCPP (Charging profile)
Charging Activation	RFID/APP	RFID/APP
Contactless Payments Solution	Payter P66 option	Payter P66 option
Human Interface	7" GRAPHIC DISPLAY	7" GRAPHIC DISPLAY
<b>MECHANICAL CHARACTERISTICS</b>		
Installation type	Floor-mounting	Floor-mounting
Materials	Painted sheet steel	Painted sheet steel
Cable length	4.5 m	4.5 m
Protection Rating	IP55	IP55
Impact Protection	IK10	IK10
Operating temperature	-25°C / +50°C	-25°C / +50°C



Versions are also available with a 300A connector (400A maximum peak) plus a 200A connector (250A maximum peak), two 300A connectors (400A maximum peak) or a 120A CHAdeMO connector

# I-FAST STATION

Charging Mode	MODE 4	MODE 4
Charging Sockets	1 CCS2 + 1 GBT CONNECTOR	1 CCS2 + 1 GBT CONNECTOR

ELECTRICAL SPECIFICATIONS		
AC Input Rated Voltage	3 $\phi$ 380 $\pm$ 415 Vac	3 $\phi$ 380 $\pm$ 415 Vac
Maximum AC input current	3 $\phi$ 130A	3 $\phi$ 174A
Output voltage range	CCS2: 150 $\pm$ 950 Vdc / GBT: 150 $\pm$ 750 Vdc	CCS2: 150 $\pm$ 950 Vdc / GBT: 150 $\pm$ 750 Vdc
Maximum Output Current	CCS2: 200A (peak 250A) / GBT: 120A	CCS2: 200A (peak 250A) / GBT: 120A
Maximum Output Power	90 kW	120 kW
Power factor	>0.99	>0.99
Output protection	SCP, OCP, OVP, LVP, OTP, IMD	SCP, OCP, OVP, LVP, OTP, IMD
Energy metering	Yes, integrated DC Meter (AC MID Meter option)	Yes, integrated DC Meter (AC MID Meter option)

FUNCTIONAL FEATURES		
Connectivity	ETH/WiFi/4G	ETH/WiFi/4G
Communication	CAN BUS / RS485 / OCPP 1.6J	CAN BUS / RS485 / OCPP 1.6J
Load Management	Via OCPP (Charging profile)	Via OCPP (Charging profile)
Charging Activation	RFID/APP	RFID/APP
Contactless Payments Solution	Payter P66 option	Payter P66 option
Human Interface	7" GRAPHIC DISPLAY	7" GRAPHIC DISPLAY

MECHANICAL CHARACTERISTICS		
Installation type	Floor-mounting	Floor-mounting
Materials	Painted sheet steel	Painted sheet steel
Cable length	4.5 m	4.5 m
Protection Rating	IP55	IP55
Impact Protection	IK10	IK10
Operating temperature	-25°C / +50°C	-25°C / +50°C

Charging Mode	MODE 4	MODE 4
Charging Sockets	1 CCS2 + 1 GBT CONNECTOR	1 CCS2 + 1 GBT CONNECTOR

ELECTRICAL SPECIFICATIONS		
AC Input Rated Voltage	3 $\phi$ 380 $\pm$ 415 Vac	3 $\phi$ 380 $\pm$ 415 Vac
Maximum AC input current	3 $\phi$ 217A	3 $\phi$ 260A
Output voltage range	CCS2: 150 $\pm$ 950 Vdc / GBT: 150 $\pm$ 750 Vdc	CCS2: 150 $\pm$ 950 Vdc / GBT: 150 $\pm$ 750 Vdc
Maximum Output Current	CCS2: 200A (peak 250A) / GBT: 120A	CCS2: 200A (peak 250A) / GBT: 120A
Maximum Output Power	150 kW	180 kW
Power factor	>0.99	>0.99
Output protection	SCP, OCP, OVP, LVP, OTP, IMD	SCP, OCP, OVP, LVP, OTP, IMD
Energy metering	Yes, integrated DC Meter (AC MID Meter option)	Yes, integrated DC Meter (AC MID Meter option)

FUNCTIONAL FEATURES		
Connectivity	ETH/WiFi/4G	ETH/WiFi/4G
Communication	CAN BUS / RS485 / OCPP 1.6J	CAN BUS / RS485 / OCPP 1.6J
Load Management	Via OCPP (Charging profile)	Via OCPP (Charging profile)
Charging Activation	RFID/APP	RFID/APP
Contactless Payments Solution	Payter P66 option	Payter P66 option
Human Interface	7" GRAPHIC DISPLAY	7" GRAPHIC DISPLAY

MECHANICAL CHARACTERISTICS		
Installation type	Floor-mounting	Floor-mounting
Materials	Painted sheet steel	Painted sheet steel
Cable length	4.5 m	4.5 m
Protection Rating	IP55	IP55
Impact Protection	IK10	IK10
Operating temperature	-25°C / +50°C	-25°C / +50°C



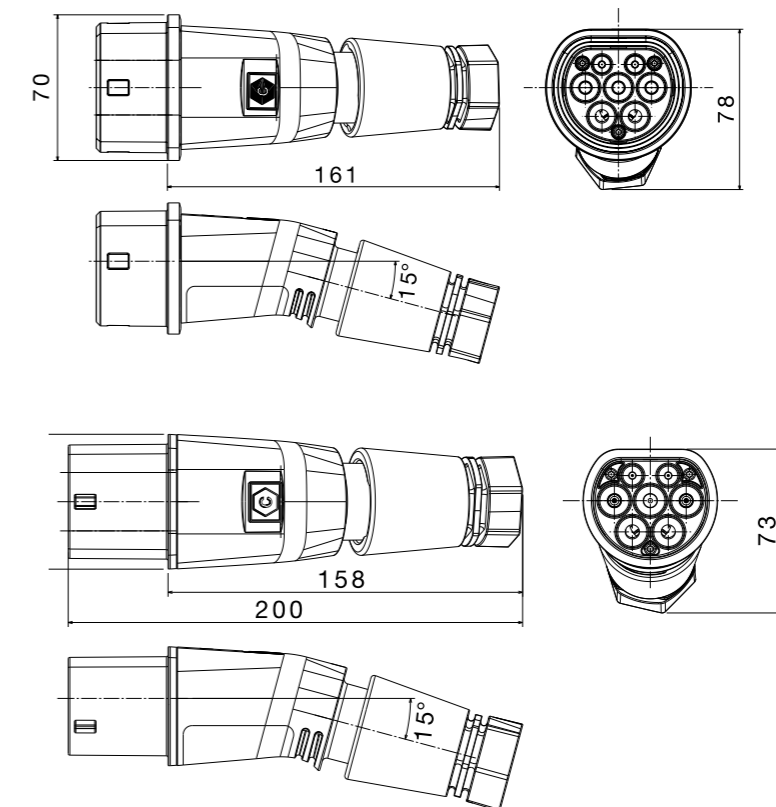
Versions are also available with a 300A connector (400A maximum peak) plus a 200A connector (250A maximum peak), two 300A connectors (400A maximum peak) or a 120A CHAdeMO connector

# I-CORD

Product type	Type 2 Charging cable - smooth 1-phase	Type 2 Charging cable - smooth 3-phase
<b>ELECTRICAL SPECIFICATIONS</b>		
Power Type	1-PHASE	3-PHASE
Number of poles	L1 - N - PE - CC - CP	L1/L2/L3 - N - PE - CC - CP
Rated current	20 A / 32 A	16 A / 32 A
Maximum power	4.6 kW / 7.4 kW	11 kW / 22 kW
Rated voltage	230/250 V	380/480 V
Rated frequency	50-60 Hz	50-60 Hz
<b>MECHANICAL CHARACTERISTICS</b>		
<b>CONNECTOR</b>		
Handle Colour	Black RAL 9004	Black RAL 9004
Box and gland colour	Black RAL 9004	Black RAL 9004
IP rating	IP 55 with cap	IP 55 with cap
Impact resistance	IK10	IK10
Glow Wire Test (sec. EN 62196-2)	650°C / 850°C	650°C / 850°C
Working temperature	-30°C / +50°C	-30°C / +50°C
<b>CABLE</b>		
Cable type	SMOOTH	SMOOTH
Cable length	5m / 8m	5m / 8m
Cable diameter	2.5 mm <sup>2</sup> / 6 mm <sup>2</sup>	2.5 mm <sup>2</sup> / 6 mm <sup>2</sup>



Charging cable Type 2 - smooth with E.V. Ready certification		Charging cable Type 2 - spiral	
<b>ELECTRICAL SPECIFICATIONS</b>			
1-PHASE	3-PHASE	1-PHASE	3-PHASE
L1 - N - PE - CC - CE	L1/L2/L3 - N - PE - CC - CP	L1 - N - PE - CC - CP	L1/L2/L3 - N - PE - CC - CP
32 A	32 A	32 A	32 A
7.4 kW	22 kW	7.4 kW	22 kW
230/250 V	380/480 V	230/250 V	380/480 V
50-60 Hz		50-60 Hz	
<b>MECHANICAL CHARACTERISTICS</b>			
<b>CONNECTOR</b>			
Black RAL 9004		Black RAL 9004	
Black RAL 9004		Black RAL 9004	
IP 55 with cap		IP 55 with cap	
IK10		IK10	
650°C / 850°C		650°C / 850°C	
-30°C / +50°C		-30°C / +50°C	
<b>CABLE</b>			
SMOOTH		SPIRAL	
5m / 8m		4 m	
6 mm <sup>2</sup>		6 mm <sup>2</sup>	



## NOTES

---

A series of horizontal dotted lines for writing notes, spanning the width of the page below the 'NOTES' header.



**GEWISS S.p.A.**

Registered Office: Via Domenico Bosatelli 1  
24069 Cenate Sotto (BG), Italy

**T** +39 035 946 111

**E** [gewiss@gewiss.com](mailto:gewiss@gewiss.com)

[www.gewiss.com](http://www.gewiss.com)

Single shareholder company - Bergamo Business Register/VAT/Tax Code (IT) 00385040167  
Economic and Administrative Index 107496 - Share Capital EUR 60,000,000.00 fully paid up

Visit [www.gewiss.com](http://www.gewiss.com)  
and follow us on

